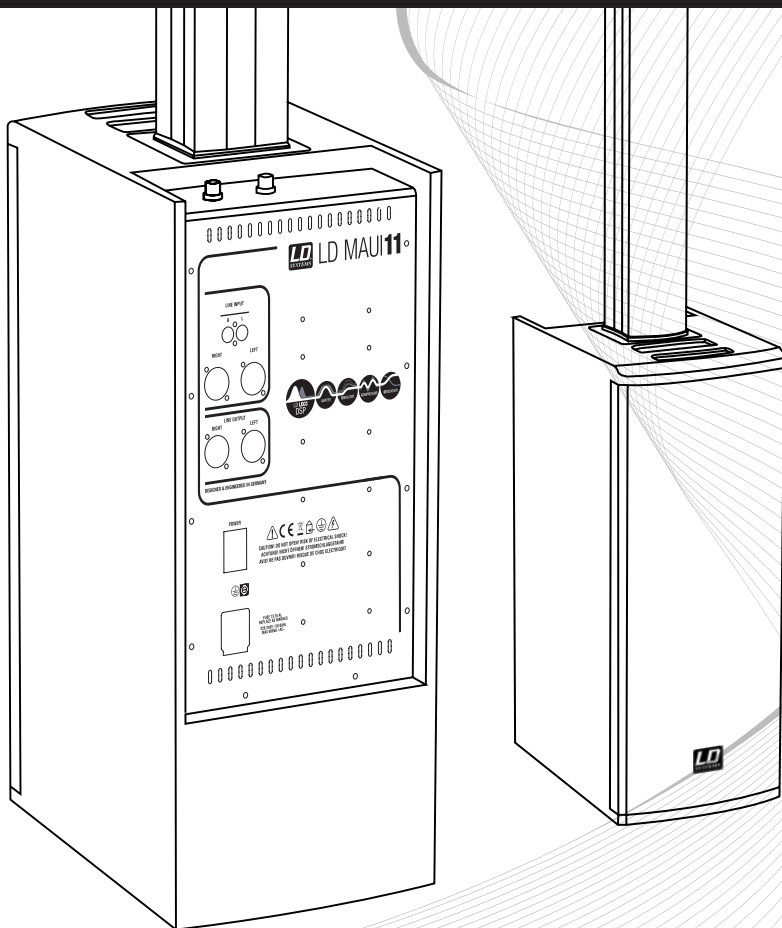


USER'S MANUAL
BEDIENUNGSANLEITUNG
MANUEL D'UTILISATION
MANUAL DE USUARIO
INSTRUKCJA OBSŁUGI
MANUALE D' USO



LD MAUI11

COMPACT COLUMN POWERED PA SYSTEM



ENGLISH

DEUTSCH

FRANCAIS

ESPAÑOL

POLSKI

ITALIANO

Thank you for choosing LD-Systems!

We have designed this product to operate reliably over many years. Therefore LD-Systems guarantees for high quality products with its name and many years of experience as a producer.

Please, take a few moments to read these instructions carefully, as we want you to enjoy your new LD-Systems products quickly and to the fullest.

For information about LD-Systems check out our website WWW.LD-SYSTEMS.COM

Introduction

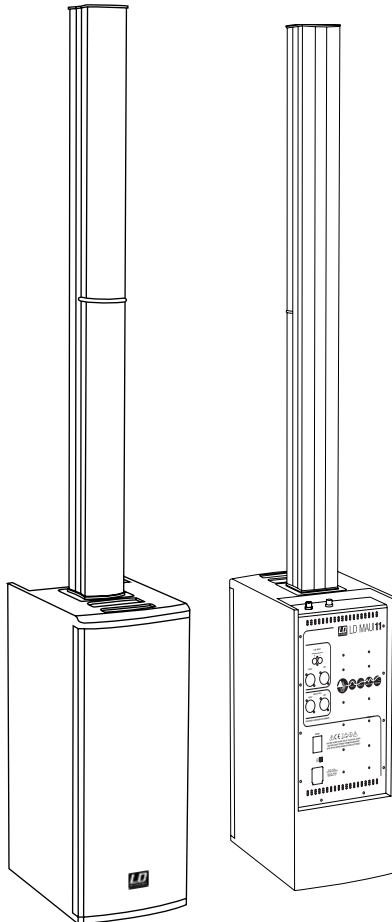
The LD Systems MAUI 11 (Multiple Array User Intuitive) Column PA System is designed for professional use. It offers DSP controlled sound reinforcement with high quality components, powerful frequency-response-based three-way amplification and a well balanced sound across the entire range of frequencies, all at a very fair price.

The internal LD LECC DSP offers digital sound processing such as crossover, equalizing, compressor and limiter functionality which is perfectly adjusted for the MAUI 11 PA System to maintain the system's best audio performance.

This "plug-and-play" system can be set up and taken down again very easily and quickly, because no cables and stands are required,

LD MAUI11

COMPACT COLUMN POWERED PA SYSTEM



ENGLISH

DEUTSCH

FRANCAIS

ESPAÑOL

POLSKI

ITALIANO



PREVENTIVE MEASURES:

1. Please read this information carefully.
2. Keep all information and instructions in a safe place.
3. Please follow the instructions.
4. Please observe all warnings. Don't remove safety instructions or any other information located on the device.
5. Use the device only in the intended manner.
6. Use only stable and appropriate stands and/or mounts when the device is permanently installed. Make certain that wall brackets are firmly secured. Make certain that the unit is installed securely and cannot fall down.
7. When installing please observe the corresponding safety standards for your country.
8. Do not install the device near radiators, heat accumulators, ovens or other sources of heat. Make certain that the device is always installed so that is cooled sufficiently and cannot overheat.
9. Do not place open sources of ignition, e.g., burning candles, on the device.
10. Do not cover ventilation slots.
11. Do not operate the device in the immediate vicinity of water. Do not expose this equipment to combustible materials, liquids or gases.
12. Please make certain that dripping or splashing water cannot get inside the device. Do not put objects filled with fluids, such as vases or drinking vessels, on top of the device.
13. Make certain that objects cannot fall into the device.
14. Use the device only with accessories with which the manufacturer intends the device to be used.
15. CAUTION: If this device has a mains connector equipped with protective earth, it must be connected to a mains socket with a protective ground connection. Never disable the function of the protective ground connection of the included power cord.
16. Do not turn on the device immediately if it was exposed to strong temperature fluctuations (for example after transportation). Moisture and condensation may damage the device. Leave the device switched off until it has reached room temperature.
17. Do not open the device and do not make any changes to the device.
18. Before connecting to mains power, make certain that the mains voltage and the mains frequency are the same as the operating values of the device (see type label). If the device is equipped with a supply voltage selector switch, make certain that the values of the device match the values of the mains power before connecting. If the plug on the included cord does not fit your mains outlet, contact your electrician.
19. Make certain that the power cord is not stepped on. Protect the power cord against pinching, especially at the device plug and the power plug.
20. In order to prevent damage or accidents, for example, due to tripping hazards, check all connections once you have connected the device.
21. When connecting the device, make certain that the power plug remains readily accessible. Always pull out the power plug when the device is not in use or when you clean the device. Disconnect the power cord by pulling the plug not the cable.
22. Avoid switching the device on and off at short intervals, because it may shorten the durability of the device.
23. IMPORTANT: Replace fuse only by fuse of same type and rating! If fuse blows repeatedly please contact authorized service center!
24. In order to disconnect the device completely from the mains voltage, the power plug must be unplugged.
25. If your device is equipped with a Volex power connector, the matching Volex device plug must be unlocked in order to disconnect it. This also means that a tug on the power cord can pull the device out of place, thus causing personal injuries and/or property damage. Thus please make certain to route your cables carefully.

ENGLISH

DEUTSCH

FRANCAIS

ESPAÑOL

POLSKI

ITALIANO

26. If there is a risk of lightning strike or during extended periods of disuse, unplug the power plug.
27. During transport, make certain that the equipment being transported cannot fall down and possibly cause personal injuries and/or property damage.
28. If your device no longer works properly, if it has been exposed to liquids or an object has fallen inside it or if it has been damaged in some other manner, turn the device off immediately und unplug the power plug. This device should be repaired only by authorized experts.
29. Use only a dry cloth to clean the device.
30. Comply with all of the disposal laws that are applicable in your country. During disposal, please separate plastic and paper/cardboard.
31. Plastic bags must be kept out of the reach of children.


CAUTION:

To reduce the risk of electric shock, do not remove cover (or back). No user serviceable parts inside. Refer servicing to qualified personnel.



The lightning flash with arrowhead symbol within an equilateral triangle is intended to alert the user to the presence of uninsulated “dangerous voltage” within the product’s enclosure that may be of sufficient magnitude to constitute a risk to persons.



The exclamation mark within an equilateral triangle is intended to alert the user to the presence of important operating and maintenance (servicing) instructions in the literature accompanying the appliance.

CAUTION! HIGH VOLUME!

You will operate this transmission system for professional use. Therefore the commercial use of this equipment is liable to the rules and regulations of the Accident Prevention & Insurance Association of your industry sector. Adam Hall as a manufacturer is bound to inform you formally about the existence of eventual sanitary risks.

Risk of hearing damage due to prolonged exposure to excessive volumes: The loudspeaker is easily capable of generating sound pressure levels (SPL) sufficient to cause permanent hearing damage to performers, production crew and audience members. Caution should be taken to avoid prolonged exposure SPL in excess of 90 dB.



SETUP, CONNECTION AND STARTUP:

ENGLISH

DEUTSCH

FRANCAIS

ESPAÑOL

POLSKI

ITALIANO

TRANSPORT

The LD MAUI 11 PA System is very compact and easy to transport. The subwoofer must be placed on the rubber feet before use. Please NEVER use the system while it is on a transport trolley! There is a danger of uncontrolled movement of the entire system. This can lead to accidents and damage. The amplifier cooling elements are in the back of the subwoofer. When the amplifier is in use, please maintain a minimum distance of 50 cm between these cooling elements and other objects, walls, etc., to permit sufficient heat exchange.

Please make certain that the system and all connected source devices, mixers, CD players, etc. are properly connected to one another and to the power mains. Use only undamaged cables with a sufficient cross-section and only completely unrolled cable reels. Route the cables so as to avoid tripping hazards (gaffa tape). The unit should never be positioned directly at an edge. Please also do not position the subwoofer on a table. It is advisable to always turn the system on last and off first in order to avoid loud popping sounds when the connected devices are turned on and off.

SETUP

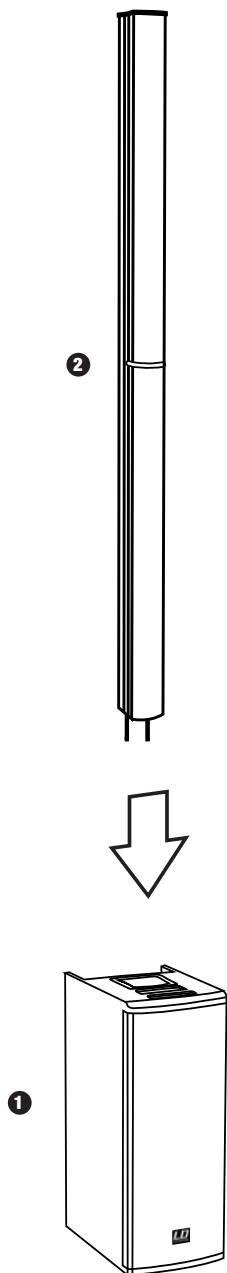
The LD MAUI 11 PA System consists of the following two components:

- 1 Subwoofer with integrated electronics for the 2 parts of the system.
- 2 The vertical array column with 8 x 3" speakers, the tweeter and a multipin connector on the bottom. Once the subwoofer is positioned, the vertical array column is plugged onto the subwoofer. Two sturdy steel pins help ensure that the multipin connectors of both speakers mate perfectly.

CONNECTION AND OPERATION

It is possible to set both the overall system volume as well as the volume of the subwoofer in relation to the overall volume. The ultimate volume level is then adjusted via the source device. The connections permit both a balanced and an unbalanced connection (XLR / jack 6.3 mm) to a source device.

The position of the connectors and control elements of the LD MAUI 11 are shown below.



CONTROL ELEMENTS:

ENGLISH

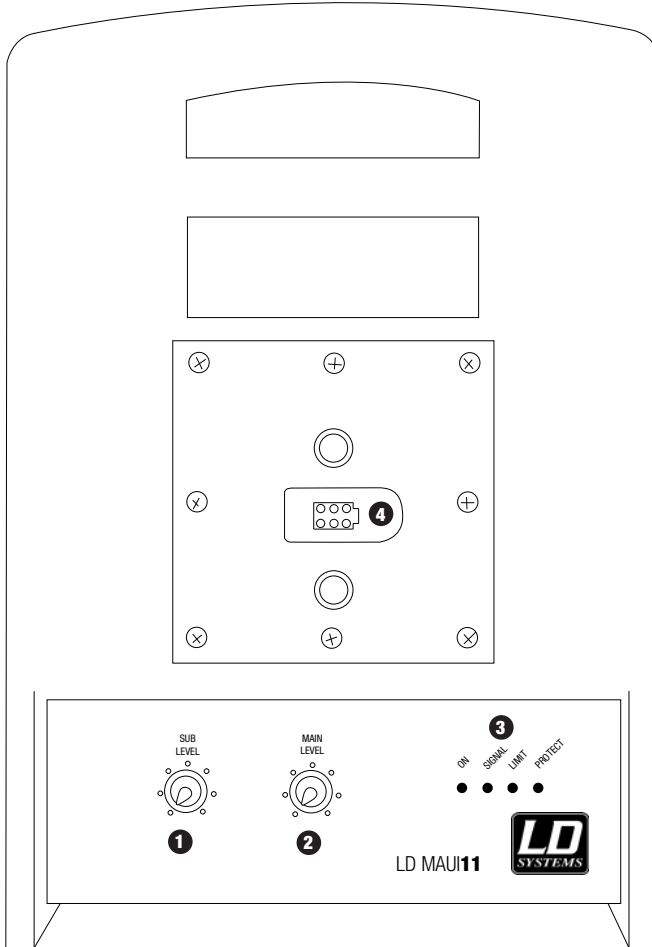
DEUTSCH

FRANCAIS

ESPAÑOL

POLSKI

ITALIANO



1 SUB LEVEL

Presetting of the subwoofer volume in relation to the volume of the array columns. Basic setting 12 o'clock.

2 MAIN LEVEL

Presetting of the overall volume - the subwoofer is also controlled in accordance with the SUB LEVEL preset.

3 INDICATOR LEDES

ON: Lights up when power is switched on and mains cable is connected correctly.

SIGNAL: Lights up when the unit receives an audio signal.

LIMIT: Lights up when the loudspeaker is operated at its limit. Short-term blinking of the LED is not critical. If the limiter LED lights up longer than a brief moment or permanently (= over-driving the system), reduce the volume of the connected signal source. Non-compliance will lead to unpleasant and distorted sound and may cause malfunction of the speaker system.

PROTECT: Lights up in case of unit overload/overheating. Amplifiers switch to mute automatically. The unit will return to operation mode under normal conditions after a few minutes.

4 MULTIPIN CONNECTOR

Connection between subwoofer and array column

BACK PANEL:

ENGLISH

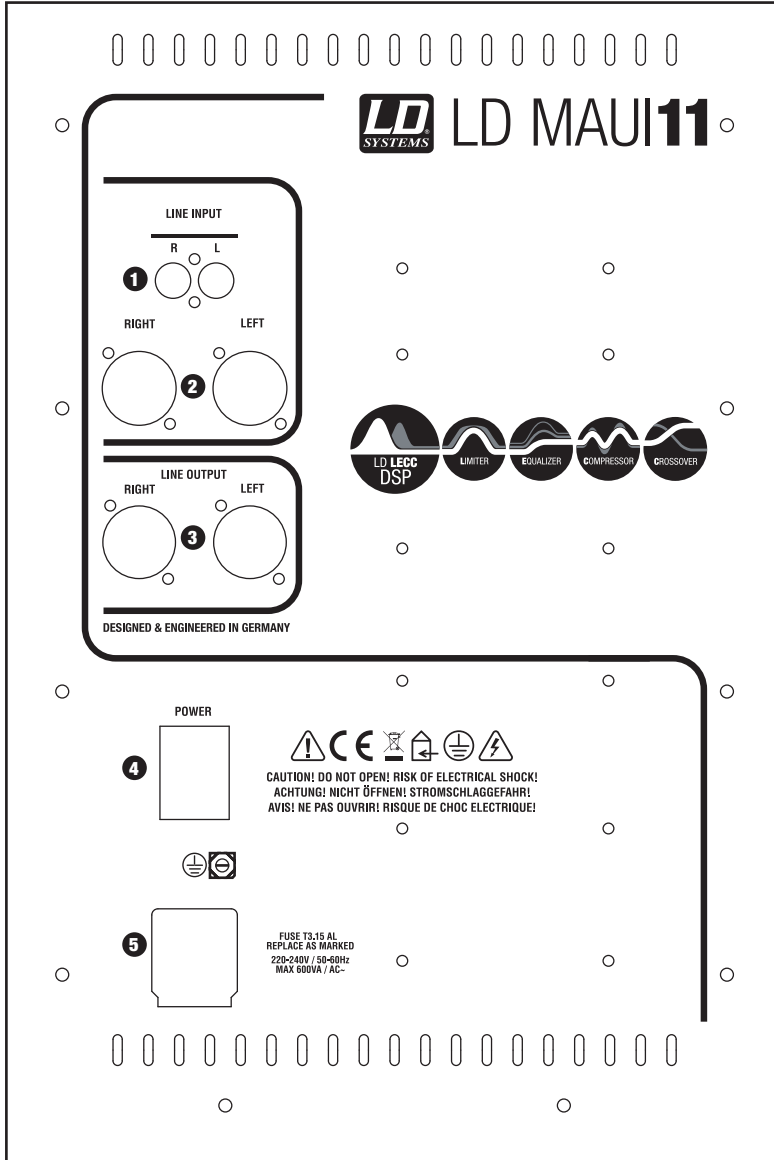
DEUTSCH

FRANCAIS

ESPAÑOL

POLSKI

ITALIANO



1 LINE INPUT (LEFT/RIGHT)

Unbalanced RCA line input.

2 LINE INPUT (LEFT/RIGHT)

Balanced XLR/6.3 mm jack (combo) line input.

3 LINE OUTPUT (LEFT/RIGHT)

Balanced XLR output which allows you to connect active loudspeakers etc. Provides the same signal as input signal.

4 POWER

Power ON/OFF switch. Before switching power on, all level controls should be set to minimum.

5 MAINS SOCKET (VOLEX POWER PLUG)

With built-in fuse holder. AC connection via IEC connector (220 - 240V AC).

A power cord with a lockable Volex connector is supplied with this unit.

IMPORTANT: Replace fuse only by fuse of same type and rating! If fuse blows repeatedly please contact authorized service center!

ALLOCATION OF FREQUENCIES:

ENGLISH

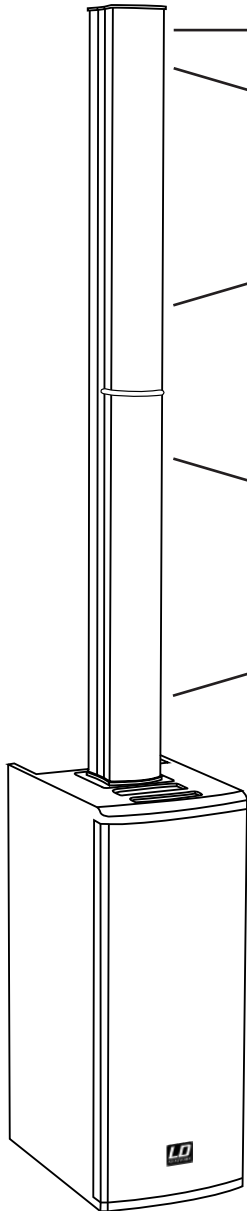
DEUTSCH

FRANCAIS

ESPAÑOL

POLSKI

ITALIANO



TWEETER
7000 Hz - 20000 Hz
Passive Crossover

HI-MID FREQUENCIES
1200 Hz - 7000 Hz

70W RMS Amplification Power

MID FREQUENCIES
180 Hz - 1200 Hz

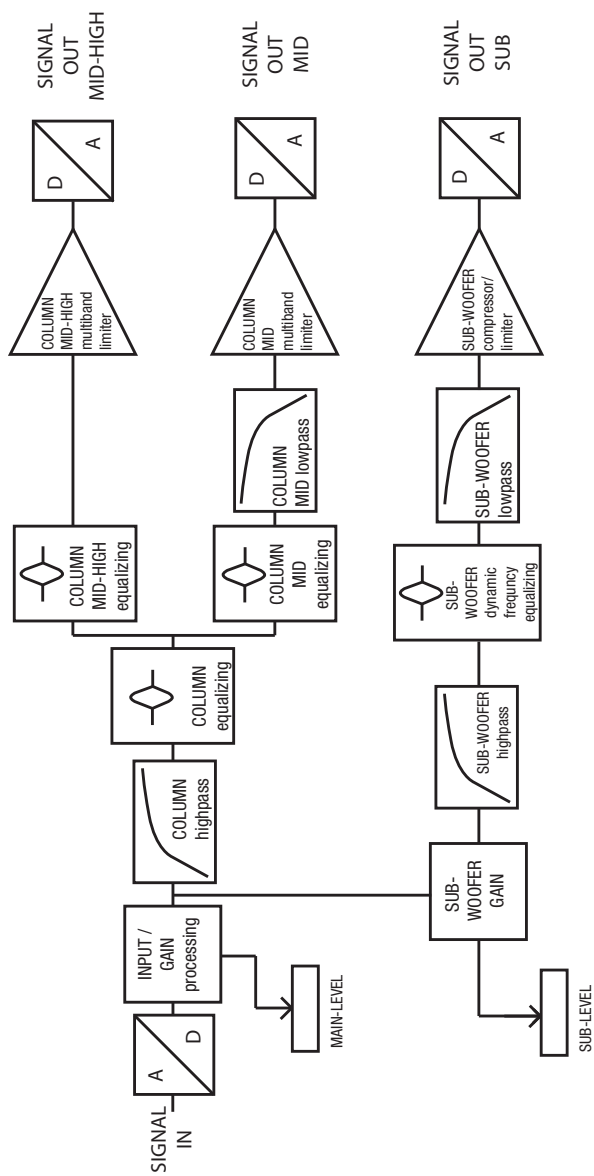
70W RMS Amplification Power

SUBWOOFER
50 Hz - 180 Hz

200 W RMS Amplification Power

The three-way DSP controlled amping of the LD MAUI 11 results in a clear, dynamic and balanced sound throughout the entire frequency range of this system. The array configuration ensures greater coverage with very well-balanced sound distribution even in the farthest corners of the venue.

DPS BLOCK DIAGRAMM:



- ENGLISH
- DEUTSCH
- FRANCAIS
- ESPAÑOL
- POLSKI
- ITALIANO



LD SYSTEMS **LECC DSP**:

WHAT DOES LD SYSTEMS LECC DSP STAND FOR?

DSP is an acronym for Digital Signal Processing, and LECC stands for Limiter, EQ, Compressor and Crossover. These functions are realised by a digital processor to attain perfect audio signal reproduction with maximum definition and protect the system.

WHAT SPECIFICALLY DOES THE LECC DSP DO?

The Limiters protect the speakers and prevent distortion due to clipping. The bass, mid, and high frequency ranges are each processed by a separate limiter that limits the signal if it exceeds a specific level that could have negative consequences. Each limiter is optimized for its frequency band and seamless interaction with the other ranges (multiband limiter). On the whole, this makes it possible to attain a higher sound level pressure, since extreme signal peaks are limited automatically without having to reduce system volume.

The multiband EQ processes all frequency ranges. It is used for optimal tone control of the system.

The Compressor responds dynamically to provide a bass boost at low volumes for more punch. As volume increases, the boost is reduced proportionally. The result is constantly controlled and perfectly adjusted bass response.

The Crossovers control the separation of the frequency ranges to the individual speakers of the system, in other words, the subwoofer and the mid-range speakers and tweeters of the column. They are amplitude and low-latency balanced to ensure that all frequencies are well-coordinated and reach listeners at the same time.

ENGLISH

DEUTSCH

FRANCAIS

ESPAÑOL

POLSKI

ITALIANO

SPECIFICATIONS:

Model Name:		LDMAU11
Product sort:		PA Loudspeaker
Type:		active
Max. SPL continuous:	dB	113
Max. SPL peak:	dB	121
Frequency Range:	Hz	50-20.000
Dispersion:		120° horizontal
Total height:	mm	1950
Features:		DSP controlled LECC, 2 sturdy steel pins for stable connection between subwoofer and vertical array column
Subwoofer:		
Woofers size:	"	2 x 6,5
Woofers size:	mm	2 x 165,1
Woofers magnet:		Ferrit
Woofers brand:		Custom made
Woofers voice coil:	"	1,5
Woofers voice coil:	mm	38,8
Cabinet design subwoofer:		Bassreflex
Cabinet material subwoofer:		15 mm plywood / 12 mm MDF
Cabinet surface subwoofer:		Texture paint
Width subwoofer:	mm	256
Height subwoofer:	mm	650
Depth subwoofer:	mm	355
Weight subwoofer:	kg	17,1
Mid/Hi System:		
Midrange speaker size:	"	3 (8x)
Midrange speaker size:	mm	76,2 (8x)
Midrange speaker magnet:		Neodymium
Midrange speaker brand:		Custom made

ENGLISH

DEUTSCH

FRANCAIS

ESPAÑOL

POLSKI

ITALIANO

SPECIFICATIONS:

Midrange speaker voice coil:	"	1
Midrange speaker voice coil:	mm	25,4
Horn:		CD-horn
HF driver size:	"	1
HF driver size:	mm	25,4
HF driver magnet:		Neodymium
HF driver brand:		Custom made
HF driver voice coil:	"	1
HF driver voice coil:	mm	25,4
Impedance Mid / Hi system:	Ω	4 (Mid / Mid-High)
Crossover frequency Mid / High:	Hz	7000
Mid/Hi input connector speaker:		Custom made multipin
Cabinet design Mid / Hi system:		sealed
Cabinet material Mid/Hi system:		Aluminium
Cabinet surface Mid/Hi system:		HD coating
Width Mid / Hi system:	mm	94
Height Mid / Hi system:	mm	1300
Depth Mid / Hi system:	mm	95
Features Mid / Hi system:		Easy setup, multipin connection without cable
Amp module (integrated in subwoofer):		
Amplification:		Class D
Power system (RMS):	W	340
Power system (Peak)	W	680
Power subwoofer (RMS):	W	200
Power subwoofer (Peak):	W	400
Power Mid / Hi (RMS):	W	2 x 70
Power Mid / Hi (Peak):	W	2 x 140

Protection:		short circuit, thermal, Multiband limiter
Input impedance:	kΩ	25
Input sensitivity:		-5dBu
Cooling system:		Convection
Controls:		Main level, Sub level, On/Off switch
Indicators:		On, Signal, Limit, Protect
Power Supply:		SMPS
Operating voltage:		220V AC - 240V AC
Power consumption off/on/ max:	W	0 / 11 / 450
Stereo line inputs:		2
Stereo line input connectors:		XLR / 6,3 mm jack (combo), RCA
Stereo line outputs:		1
Output connector line through		XLR male
Powered output connector Mid / Hi:		Custom made multipin
DSP Specifications:		
A/D-D/A resolution	bit	24 / 24
Sampling rate:	kHz	48
S/N ratio:	dB	100
Since all our products are constantly controlled and improved, technical changes are possible without prior notice.		



MANUFACTURER'S DECLARATIONS:

LIMITED WARRANTY

This Limited Warranty applies to the Adam Hall, LD Systems, LD Premium, Defender, Palmer, Cameo and Eminence branded products.

The statutory warranty rights towards the seller are not affected by this guarantee. In fact, it justifies, additional independent warranty claims towards Adam Hall.

Adam Hall warrants that the Adam Hall product you have purchased from Adam Hall or from an Adam Hall authorized reseller is free from defects in materials or workmanship under normal use for a period of 2 or 5 years from the date of purchase.

The Limited Warranty Period starts on the date of purchase. In order to receive warranty services you are required to provide proof of the purchase date. Your dated sales or delivery receipt, showing the date of purchase, is your proof of the purchase date. Should products of the brands named above be in need of repair within the limited warranty period, you are entitled to warranty services according to the terms and conditions stated in this document.

This Limited Warranty extends only to the original purchaser of this Adam Hall branded product and is not transferable to anyone who obtains ownership of the Adam Hall branded product from the original purchaser. During the Limited Warranty Period, Adam Hall will repair or replace the defective component parts or the product. All component parts or hardware products removed under this Limited Warranty become the property of Adam Hall.

In the unlikely event that your Adam Hall product has a recurring failure, Adam Hall, at its discretion, may elect to provide you with a replacement unit of Adam Hall's choice that is at least equivalent to your Adam Hall branded product in hardware performance.

Adam Hall does not warrant that the operation of this product will be uninterrupted or error-free. Adam Hall is not responsible for damage that occurs as a result of your failure to follow the instructions included with the Adam Hall branded product.

This Limited Warranty does not apply,

- to wear parts (e.g. accumulator)
- to any product from which the serial number has been removed or that has been damaged or rendered defective as the result of an accident
- in case of, misuse, abuse, or other external causes
- by operation outside the usage parameters stated in the user's documentation shipped with the product by use of spare parts not manufactured or sold by Adam Hall
- by modification or service by anyone other than Adam Hall

These terms and conditions constitute the complete and exclusive warranty agreement between you and Adam Hall regarding the Adam Hall branded product you have purchased.

ENGLISH

DEUTSCH

FRANCAIS

ESPAÑOL

POLSKI

ITALIANO

LIMITATION OF LIABILITY

If your Adam Hall branded hardware product fails to work as warranted above, your sole and exclusive remedy shall be repair or replacement. Adam Halls' maximum liability under this limited warranty is expressly limited to the lesser of the price you have paid for the product or the cost of repair or replacement of any hardware components that malfunction in conditions of normal use.

Adam Hall is not liable for any damages caused by the product or the failure of the product, including any lost profits or savings or special, incidental, or consequential damages. Adam Hall is not liable for any claim made by a third party or made by you for a third party.

This limitation of liability applies whether damages are sought, or claims are made, under this Limited Warranty or as a tort claim (including negligence and strict product liability), a contract claim, or any other claim. This limitation of liability cannot be waived or amended by any person. This limitation of liability will be effective even if you have advised Adam Hall of an authorized representative of Adam Hall of the possibility of any such damages. This limitation of liability however, will not apply to claims for personal injury.

This Limited Warranty gives you specific legal rights. You may also have other rights that may vary from state to state or from country to country. You are advised to consult applicable state or country laws for a full determination of your rights.

REQUESTING WARRANTY-SERVICE

To request warranty service for the product, contact Adam Hall or the Adam Hall authorized reseller from which you purchased the product.

EC DECLARATION OF CONFORMITY

These devices meet the essential requirements and further relevant specifications of Directives 2004/108/EC (EMC) and 2006/95/EC (LVD). For more information, see www.adamhall.com.

CORRECT DISPOSAL OF THIS PRODUCT (ELECTRICAL WASTE)

(Applicable in the European Union and other European countries with separate collection systems)



This marking shown on the product or its literature, indicates that it should not be disposed with other household wastes at the end of its working life. To prevent possible harm to the environment or human health from uncontrolled waste disposal, please separate this from other types of wastes and recycle it responsibly to promote the sustainable reuse of material resources.

Household users should contact either the retailer where they purchased this product, or their local government office, for details on where and how they can recycle this item in an environmentally friendly manner.

Business users should contact their supplier and check the terms and conditions of the purchase contract. This product should not be mixed with other commercial wastes for disposal.

MANUFACTURER'S DECLARATIONS:

WEEE-DECLARATION



Your LD-Systems product was developed and manufactured with high quality materials and components which can be recycled and/or reused. This symbol indicates that electrical and electronic equipment must be disposed of separately from normal waste at the end of its operational lifetime.

Please dispose of this product by bringing it to your local collection point or recycling centre for such equipment. This will help to protect the environment in which we all live.

BATTERIES AND ACCUMULATORS



The supplied batteries or rechargeable batteries can be recycled. Please dispose of them as special waste or return them to your specialist dealer. In order to protect the environment, only dispose exhausted batteries.

ECOLOGY AND ENERGY SAVING

Saving electric energy helps to protect the environment. Please turn off all electrical equipment when it is not in use. To avoid power consumption in idle mode, disconnect all electrical equipment from mains when not in use.

Adam Hall GmbH, all rights reserved. The technical data and the functional product characteristics can be subject to modifications. The photocopying, the translation, and all other forms of copying of fragments or of the integrality of this user's manual is prohibited.

ENGLISH

DEUTSCH

FRANCAIS

ESPAÑOL

POLSKI

ITALIANO



ENGLISH

DEUTSCH

FRANCAIS

ESPAÑOL

POLSKI

ITALIANO

ENGLISH

DEUTSCH

FRANCAIS

ESPAÑOL

POLSKI

ITALIANO



WWW.LD-SYSTEMS.COM

Adam Hall GmbH | Daimlerstrasse 9 | 61267 Neu-Anspach | Germany
Tel. +49(0)6081/9419-0 | Fax +49(0)6081/9419-1000
web : www.adamhall.com | e-mail : mail@adamhall.com

