



24" MultiTouch screen, based on the latest Optical Touch Screen Technology

The T2452MTS is Windows® 7 Compatible and ready for the emerging business and consumer software packages. The monitor lets you browse the web, email and draw while working on multiple screens, docking or typing on the on-screen keyboard. You can scroll and rotate pictures, draw, zoom in and out using certain tap, flick, grab and pincer gestures. The multi-touch is not only fast but also fun to work with. The panel features High Definition 1920x1080 resolution with a 2ms response time. HDMI, DVI and Analogue inputs are available for flexible connectivity along with USB for the Touch Interface.



#### TOUCH TECHNOLOGY - OPTICAL

This technology uses cameras. A touch event is registered with great accuracy when light is blocked by a finger or stylus. It's the only touch technology that does not rely on an overlay or substrate to register a touch, so it's impossible to physically "wear out" the touchscreen. In fact you don't really have to physically touch the screen.



#### OVERDRIVE ON / OFF

When very fast graphics are displayed your monitor can sometimes get blurry. Turning on the OverDrive feature will eliminate that.

## 1. DISPLAY CHARACTERISTICS

|                     |   |
|---------------------|---|
| DIAGONAL            | 23.6"; 60cm   |
| TOUCHTECHNOLOGY     | optical, multitouch (2 compatible touch points - HID, supported only under Windows® 7), activated by finger or stylus |
| PANEL               | TN LED  |
| DISPLAY AREA H X W  | 293.2 x 521.3 mm; 11.54" x 20.51"   |
| RESPONSE TIME       | 2 ms  |
| CONTRAST            | 1000 : 1 typical  |
| CONTRAST            | 5 000 000 : 1 ACR   |
| BRIGHTNESS          | 260 cd/m <sup>2</sup> typical   |
| VIEWING ZONE        | horizontal/vertical: 170°/ 160° ; right/left: 85°/ 85° ; up/down: 80°/ 80°  |
| DISPLAY COLOUR      | 16.7 million  |
| PIXEL PITCH H X V   | 0.272 x 0.272 mm  |
| NATIVE RESOLUTION   | Full HD 1080p, 1920 x 1080 ( 2.1 megapixel)   |
| HORIZONTAL SYNC     | 24 - 80 KHz   |
| VERTICAL SYNC       | 55 - 75 Hz  |
| SYNCHRONIZATION     | Separate Sync   |
| ASPECT RATIO        | 16 : 9  |
| LIGHT TRANSMITTANCE | 88%   |

## 2. INTERFACES & CONNECTORS

|                         |                              |
|-------------------------|------------------------------|
| ANALOG INPUT CONNECTOR  | VGA                          |
| DIGITAL INPUT CONNECTOR | DVI-D, HDMI                  |
| HDCP                    | yes                          |
| HEADPHONE CONNECTOR     | Yes                          |
| OUTPUT CONNECTOR        | headphone connector          |
| INPUTS                  | USB (for touch connectivity) |

## 3. SPECIAL FEATURES

|                   |  |
|-------------------|--|
| PLUG & PLAY       | VESA DDC2B™  |
| CONTROLS          | On-Screen-Display in 9 languages (EN, FR, DE, NL, PL, RU, JP, Chinese (traditional and simplified)) and 5 front controls (Power, Select/ Input Select, Scroll up/ Audio, Scroll down/ i-Style Colour, Menu)  |
| USER CONTROLS     | auto adjust, picture adjust (contrast, brightness, ACR, ECO, OD), input select, audio adjust (volume, mute, HDMI audio), colour adjust, information, manual image adjust (clock, H/V position, phase, sharpness, video mode adjust), setup menu (language, OSD position, OSD time out, OSD background, opening logo, LED), memory recall |
| SPEAKERS          | 2 x 2 W (Stereo)   |
| ANTI-THEFT-DEVICE | Kensington-lock™ prepared  |
| SAFETY            | CE, TÜV-Bauart, GOST-R, VCCI-B, PSE  |

|               |                 |
|---------------|-----------------|
| TILT ANGLE    | 22° up; 9° down |
| VESA MOUNTING | 100 x 100 mm    |
| COLOUR        | Black           |

---

## 4. ACCESSORIES

|                      |  |
|----------------------|--|
| DRIVER               | single-touch: XP, Vista, multi-touch: Windows®7/8 (HID)  |
| INCLUDED ACCESSORIES | power cable, VGA (D-Sub) cable, DVI-D cable, audio cable, USB cable, touch pen, stand, quick start guide, safety guide |

---

## 5. POWER MANAGEMENT

|                   |   |
|-------------------|---|
| POWER SUPPLY      | AC 100 - 240 V, 50 / 60 Hz                        |
| POWER SUPPLY UNIT | internal  |
| POWER USAGE       | 22 W typical; max. 0.5 W in Power management mode |
| POWER MANAGEMENT  | VESA DPMS, ENERGY STAR®                           |

---

## 6. EU ENERGY EFFICIENCY LABEL

|                           |                               |
|---------------------------|-------------------------------|
| ENERGY EFFICIENCY CLASS   | A                             |
| ON MODE POWER CONSUMPTION | 22.5W                         |
| ANNUAL ENERGY CONSUMPTION | 33 kW/annum*                  |
| VISIBLE SCREEN DIAGONAL   | 60 cm; 23.6"; ( 24" segment ) |

---

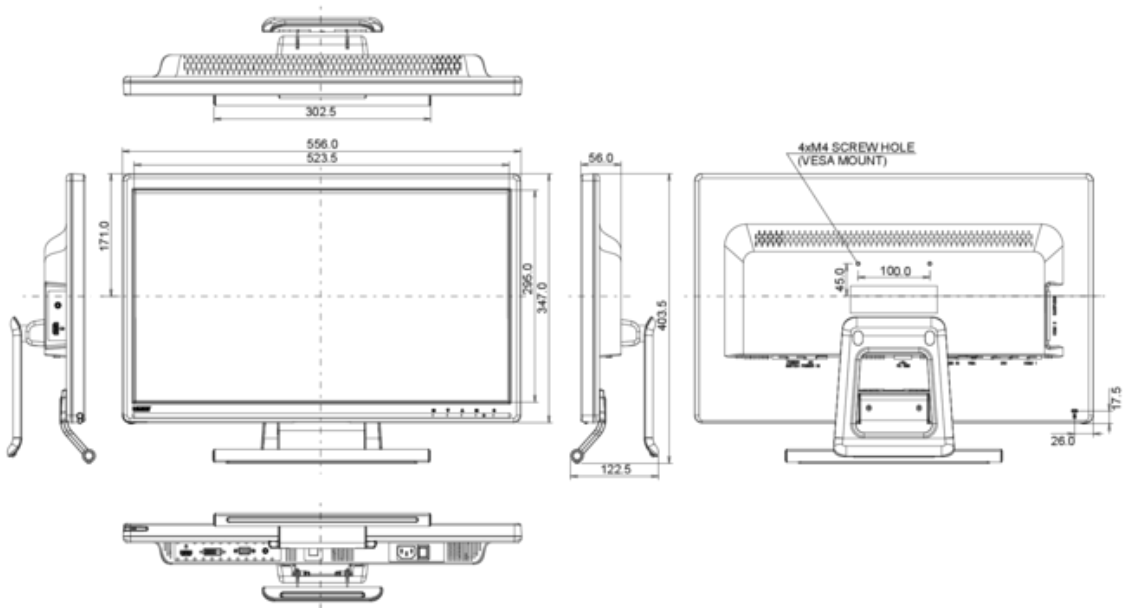
*This is information under Regulation (EU) No 1062/2010.*

*\*Based on the power consumption of the television operating 4 hours per day for 365 days. The actual energy consumption will depend on how the television is used.*

## 7. DIMENSIONS & WEIGHT

|                      |                    |
|----------------------|--------------------|
| DIMENSIONS W X H X D | 556 x 399 x 240 mm |
| WEIGHT               | 6.2 kg             |

---



All trademarks acknowledged. Errors and changes reserved. Product specifications are subject to change without notice. All LCD's comply with ISO-13406-2 which specifies the number and type of pixel defects.

© IIYAMA CORPORATION ( ). ALL RIGHTS RESERVED.